

CD AUTO CHANGER

# KDC-C462/ Y C662/ Y

## SERVICE MANUAL

# KENWOOD

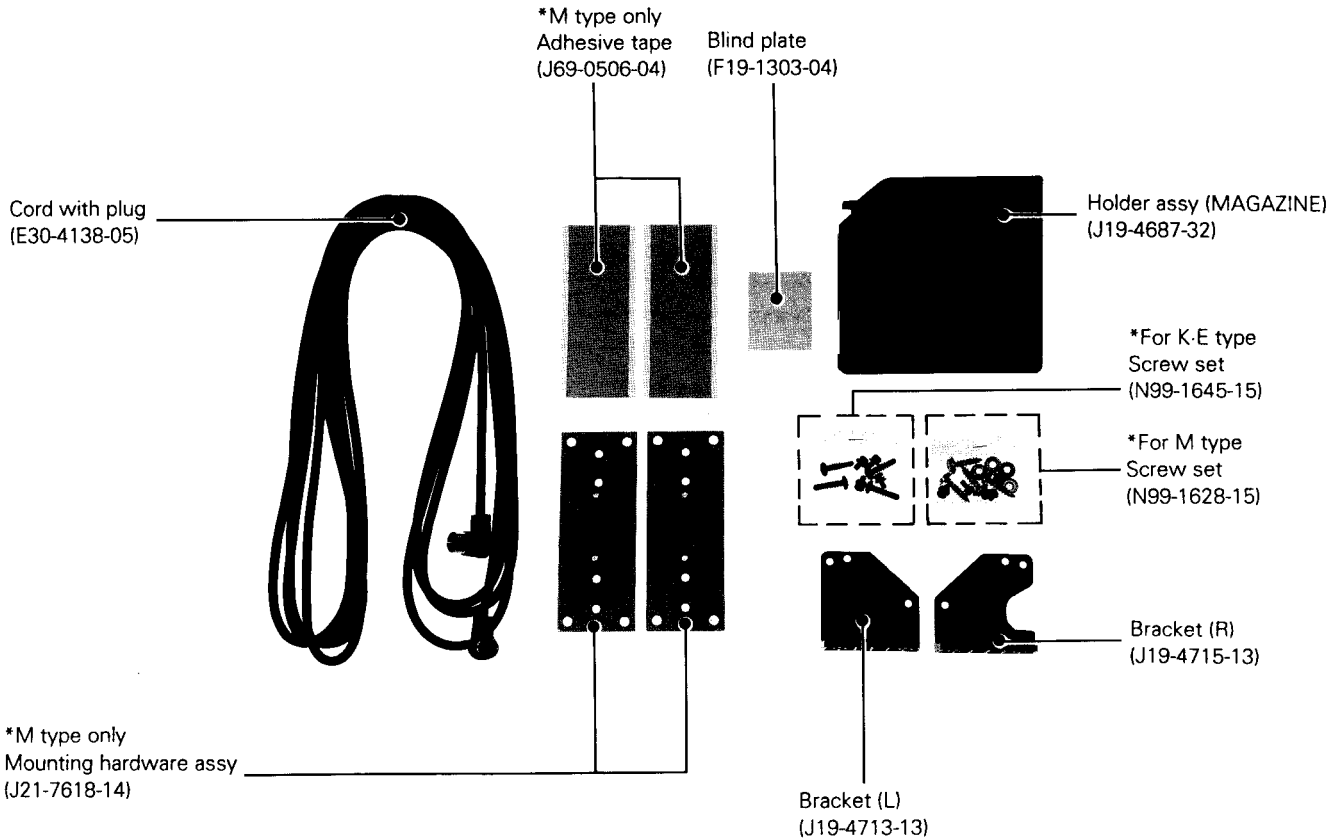
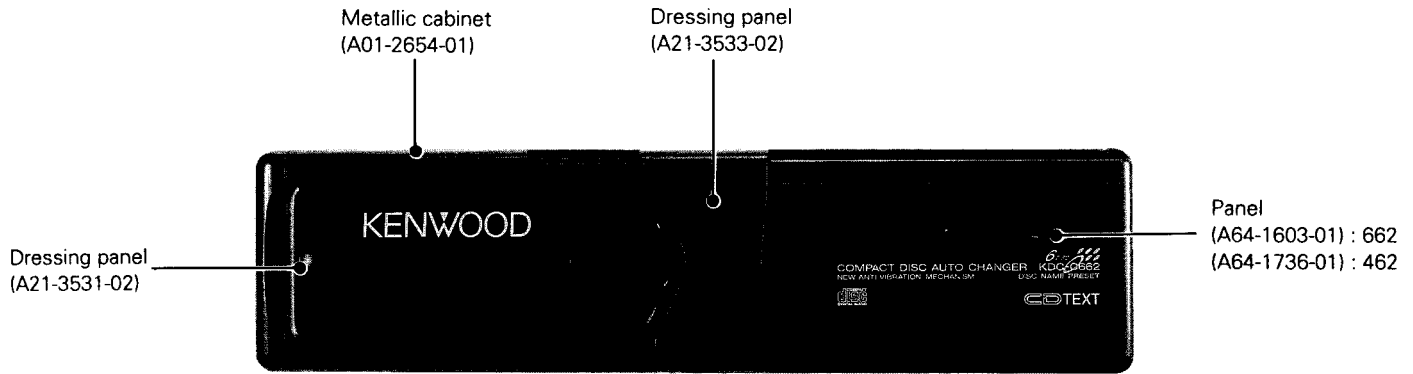
© 1998-12 PRINTED IN JAPAN  
B51-7408-00(S) 3280

When transporting these models, always attach CAUTION CARD and STEPPED SCREW (for transportation).

CAUTION CARD :B58-1275-04  
STEPPED SCREW :N09-4186-25

Service jig	Parts No.
For initial position setting	W05-0635-00

Photo is KDC-C662



The MECHANSIM OPERATION DESCRIPTION is the same as model KDC-C660. Please refer to the service manual for model KDC-C660 (B51-7105-00).



# KDC-C462/Y, C662/Y

## MICROCOMPUTER DESCRIPTION

System  $\mu$ -com : UPD784214GC029 (X32- : IC7)

● Terminal description

Pin No.	Pin Name	I/O	Description
1	TOUT	O	Test output
2	TSTB	O	Text data strobe signal
3	-	O	NC
4	FOK	I	H: Focus OK, L: Focus NG
5	XOFF	O	H: Servo IC oscillation stop
6	RST	O	L: Servo IC reset
7	AO	O	H: Parameter setting L: Address register setting
8	STB	O	L: Data latch
9	VDD		Power voltage connection
10	X2	-	Oscillator
11	X1	I	Oscillator
12	VSS		GND
13	XT2	-	NC
14	XT1	I	GND
15	RESET	I	L: Reset
16	-		NC
17	MGSW	I	H: Holder IN, L: Holder OUT
18	EJSW	I	H: Eject
19	COMMSW	I	H: New, L: Old
20	PACK	I	Text data pack synchronizing signal
21	CHCON	I	Changer control
22	BUDET	I	BU detection
23	AVDD	I	A/D converter power
24	AVREF	I	A/D converter reference voltage
25	HOT	I	Hot-temperature detection
26	LPS	I	Position detection
27	LOESW	I	L: Loading completion
28	LIMSW	I	L: PU limit switch ON
29	TOFF	I	Tracking OFF mode
30	ADJSEL	I	H: Servo ADJ OFF L: Servo ADJ ON
31	TBANK	I	H: Gain up, L: Normal
32	-		
33	AVSS		GND
34	LPSCO	O	A/D converter power H: OFF
35	AMUTE	O	L: Mute ON
36	AVREF1		A/D converter power
37	SDI	I	Servo data input
38	SDO	O	Servo data output
39	SCK	O	Servo clock output
40	DATAH	I	Data input from H/U
41	DATAC	O	Data output to H/U
42	HCLK	I/O	H: Clock input L: Clock output

Pin No.	Pin Name	I/O	Description
43	REQC	O	Communication request to H/U
44	CHMUTE	O	L: Mute ON
45	TSI	I	Text data input
46	TSO	O	Text data output
47	TSCK	O	Text clock output
48-55	A0-A7	O	Address setting output to S-RAM
56-63	D0-D7	I/O	Data input/output with S-RAM
64-68	A8-A12	O	S-RAM address setting
69-71	A13-A15	O	S-RAM enable control
72	VSS		GND
73, 74	A16-A17	O	S-RAM enable control
75	RAMOK	O	H: OK
76	ELVADJ	I	L: Adjustment mode
77	RD	O	Read control output to S-RAM
78	WR	O	Write control output to S-RAM
79	WAIT	I	Wait during access with S-RAM
80	ASTB	O	NC
81	VDD		Power voltage connection
82	RAMTEST	I	H: S-RAM check mode
83	REQH	I	Communication request from H/U
84	SP/LO+	O	Spindle/Loading + control
85	SP/LO-	O	Spindle/Loading - control
86	ELV+	O	Mechanical up/down control
87	ELV-	O	Mechanical up/down control
88	SIM1	I	L: Text, H: No-Text
89	SEARCH	O	H: Play, L: Search
90, 91	TEST1, 2	I	L: Normal, H: Test
92	8V/7V	O	H: 7V, L: 8V (Servo power)
93	SLG	I	H: +3dB, L: 0dB (Sled gain)
94	TEST/VPP	I	L: Flash ROM program mode OFF
95	SRVSEL	I	H: Servo mode
96	SLNSA	I	L: Sled non-sensitive band ON
97	SDA	I/O	EEPROM data input/output
98	SCL	O	EEPROM clock output
99	PON	O	L: Power ON
100	ARMSW	I	H: Arm switch ON

# KDC-C462/Y, C662/Y

## ADJUSTMENT

### ● TEST MODE

#### 1. How to enter

While holding the magazine EJECT switch, reset the unit and keep on holding the EJECT switch for more second to enter the E-88 mode.

(NOTE) In the E-88 mode, the initial position detection operation at the time of reset start is not performed.

#### 2. Manual operation functions

The E-88 display appears when the H/U is set to the changer mode. In this condition, the changer mechanism can be operated manually using the Track search UP/DOWN and Disc search UP/DOWN keys.

Track search UP key :

Operates the Spindle/Loading motor in the direction for pulling the disc tray into the mechanism deck (disc loading direction).

Track search DOWN key :

Operates the Spindle/Loading motor in the direction for returning the disc tray into the magazine (disc ejection direction).

Disc search UP key :

Operates the ELV motor in the direction for moving the mechanism deck upward.

Disc search DOWN key :

Operates the ELV motor in the direction for moving the mechanism deck downward.

### ● POSITION ADJUSTMENT

#### 1. LPS initial position adjustment procedure

Connect the changer to the H/U. While holding the magazine [EJECT] key of the changer, press the [RESET] key of the H/U and, in about 1 second, release the magazine [EJECT] key. Press the [CD] key of the H/U to enter the E-88 mode. Move the mechanism deck to around the 1st stage by pressing the [DISC-] or [DISC+] key. Insert the adjustment tool into the tool hole on the changer mechanism. Then press the [DISC+] key to move the mechanism deck until the mechanism's slider hits the adjustment tool. When the motor locks (stops) press the [REPEAT] key of the H/U.

When the [REPEAT] key is pressed, the mechanism moves automatically to the 1st stage and the initial position adjustment completes. (The data is written in the EEPROM at this time)

#### 3. Position adjustment function

This function writes the mechanism position adjustment values in the EEPROM in the E-88 mode.

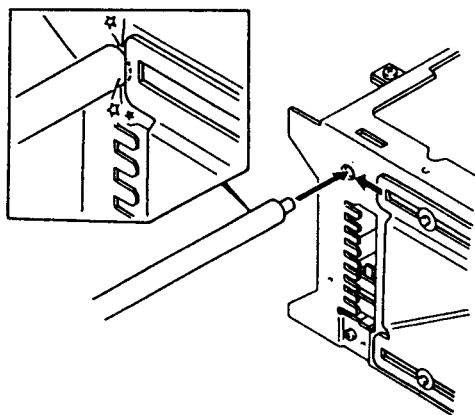
[Adjustment procedure]

- With the mechanism in the magazine ejection condition, move the mechanism manually up and down to set the mechanism to the reference position.
- Pressing the REP key of the H/U starts the judgment of the mechanism position and the distinction whether the changer is a 6-disc or 10-disc changer. If the mechanism position is extremely deviated from the reference position, the processing is aborted immediately.
- The offset from the reference position is calculated and the 6/10 data and offset values are written in the EEPROM.
- Data is read from the EEPROM to judge whether it has been written normally. When it is judged that the write operation has completed normally, the mechanism deck moves to the magazine ejection standby position. When it is judged that the write operation was abnormal, the mechanism performs no operation.

(NOTE) Mechanism reference position

6 disc mechanism : 3rd stage

10 disc mechanism : 6th stage

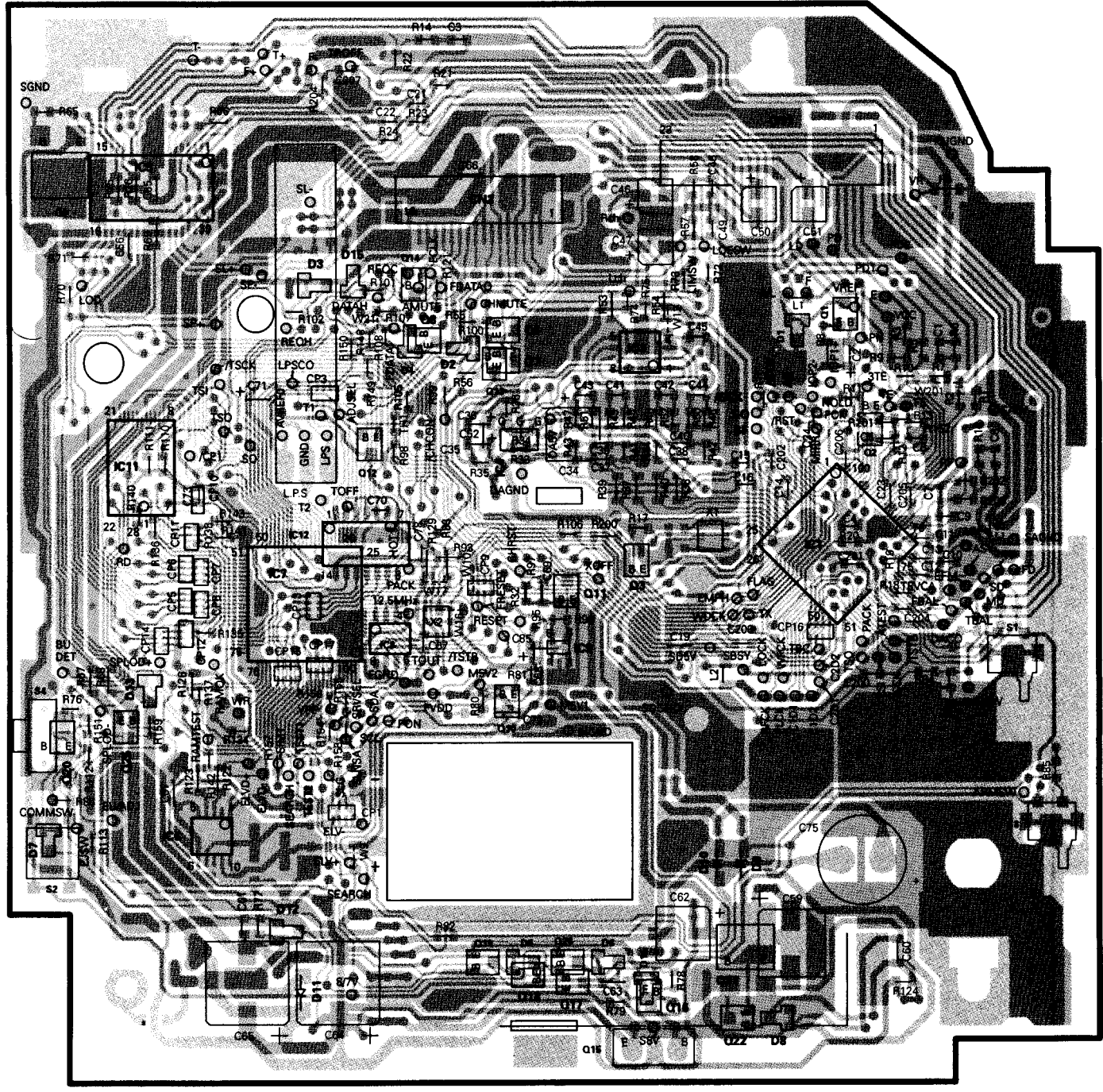


ADJUSTMENT TOOL : W05-0635-00

# PC BOARD (Component side view)

CD PLAYER UNIT (X32-4610-00)/(X32-4490-XX)

X32-4490-00 (J74-0893-01)



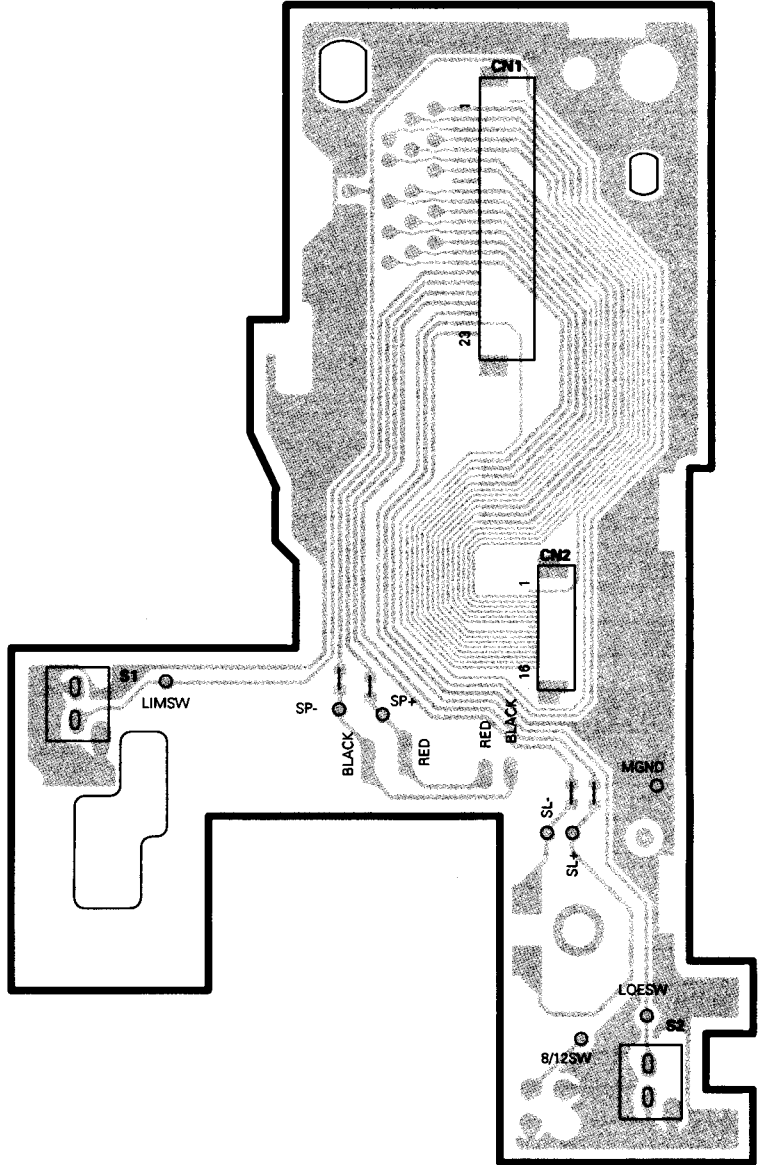
Refer to the schematic diagram for the values of resistors and capacitors.

**SUB-CIRCUIT UNIT (X13-8990-00)**

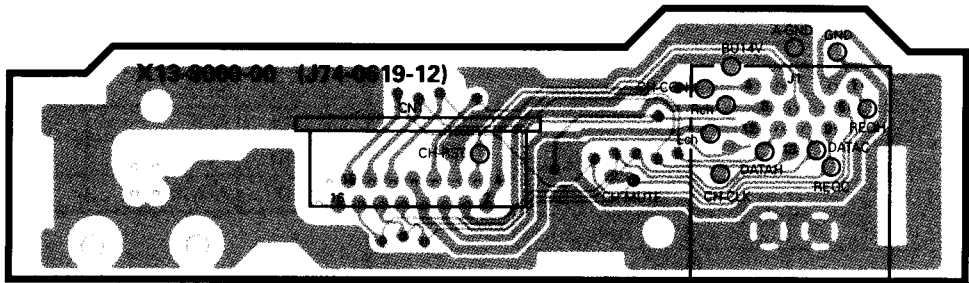
**CD PLAYER UNIT  
(X32-4490-00)**

Ref.No		Address
IC	Q	
1		4E
3		3D
4		4C
5		3B
6		5B
7		4B
8		4C
9		5C
11		4B
12		4C
	1	3E
	2	4E
	3	4D
	6	3C
	7	3C
	8	3C
	9	2A
	10	5C
	11	4C
	12	4C
	13	3C
	14	3C
	15	6D
	16	6D
	17	6C
	18	6C
	20	5A
	21	6D
	22	6D
	25	5B
	26	6C

**X13-8990-00 (J74-0618-31)**



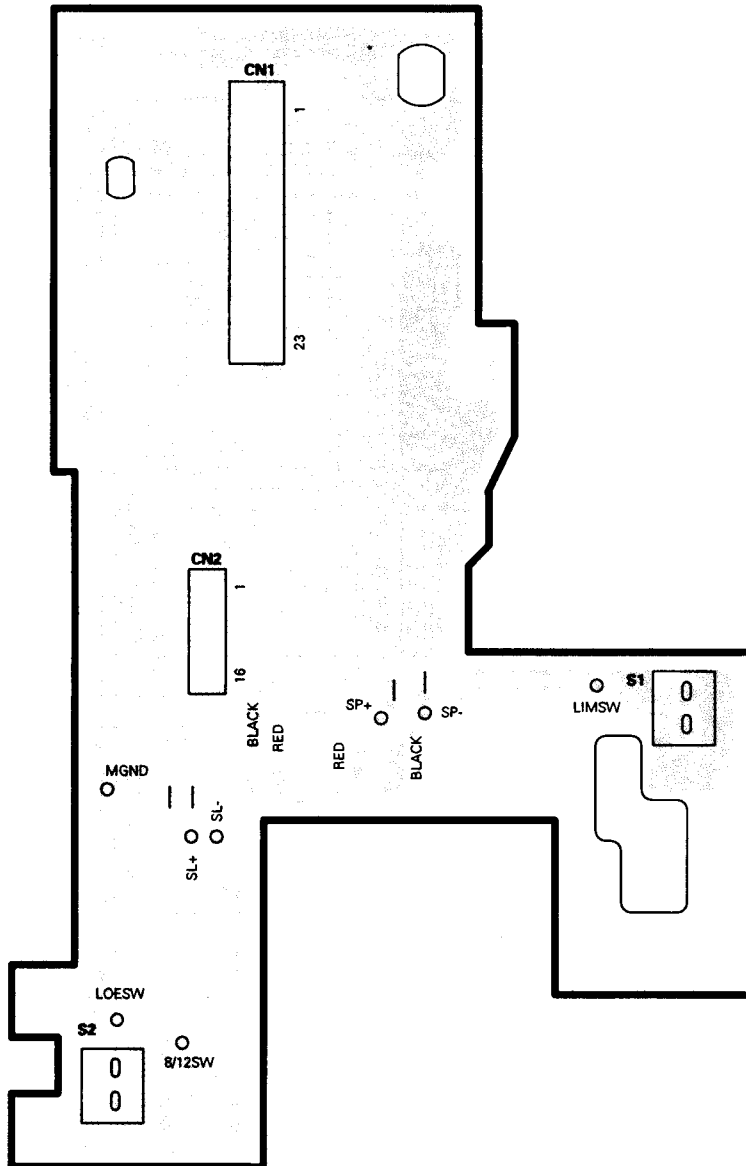
**SUB-CIRCUIT UNIT (X13-9000-00)**



# PC BOARD (Foil side view)

## SUB-CIRCUIT UNIT (X13-8990-00)

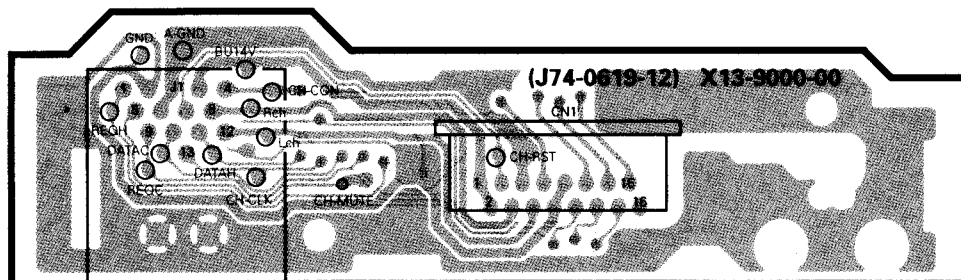
X13-8990-00 (J74-0618-31)



## CD PLAYER UNIT (X32-4490-00)

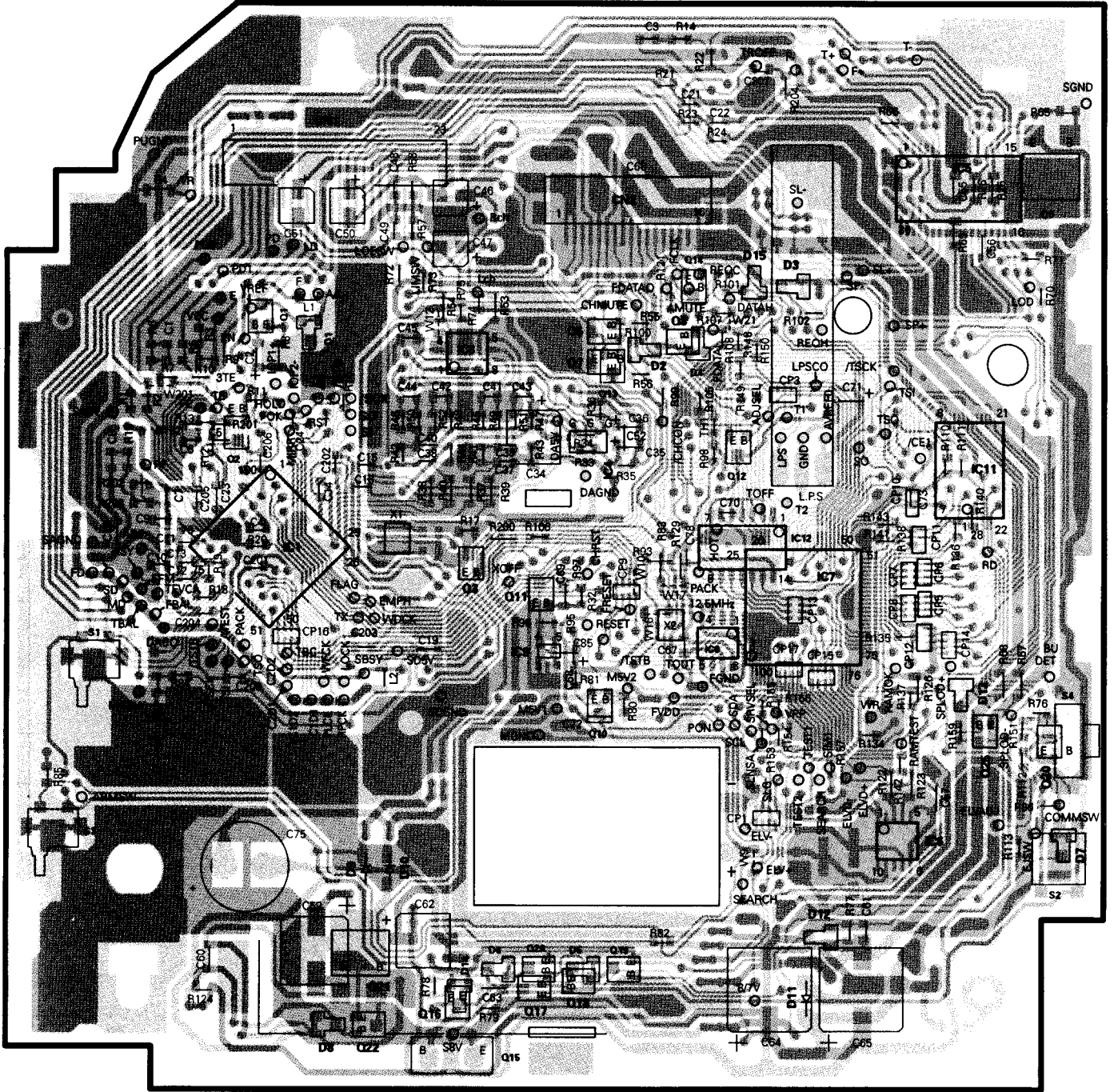
Ref.No	Address
1	4Q
3	3Q
4	4R
5	3S
6	5S
7	4S
8	4R
9	5R
11	4T
12	4S
1	3Q
2	4P
3	4Q
6	3R
7	3R
8	3R
9	2T
10	5R
11	4R
12	4S
13	3R
14	3R
15	6Q
16	6Q
17	6R
18	6R
20	5T
21	6Q
22	6Q
25	5T
26	6R

## SUB-CIRCUIT UNIT (X13-9000-00)



CD PLAYER UNIT (X32-4610-00)/(X32-4490-XX)

X32-4490-00 (J74-0893-01)



Refer to the schematic diagram for the values of resistors and capacitors.

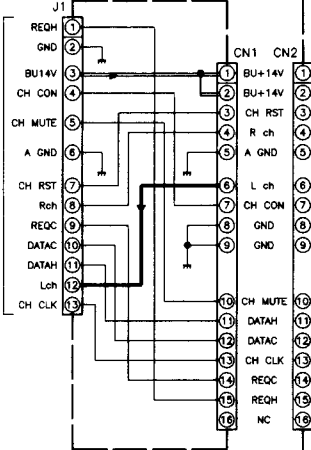


1	REQH
2	GND
3	BU+14
4	CH CON
5	CH MUTE
6	A GND
7	CH RST
8	Rch
9	REQC
10	DATA
11	DATAH
12	Lch
13	CH CLK

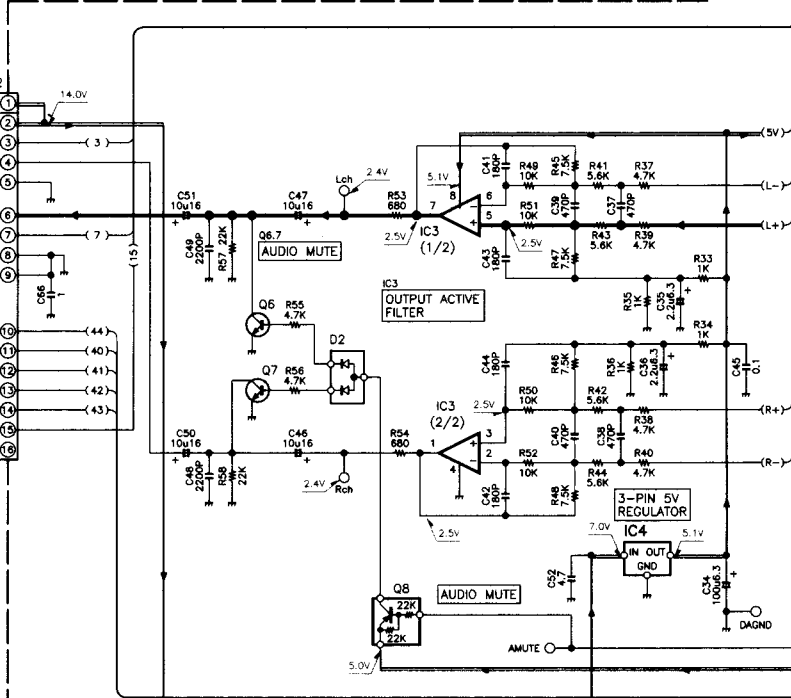
J1  
(OUTSIDE VIEW)



(X13-9000-00)



(X32-4490-XX)



(E30-4138-05)

(X32-449X-XX)

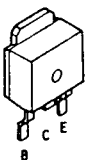
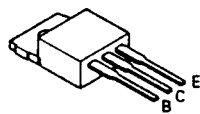
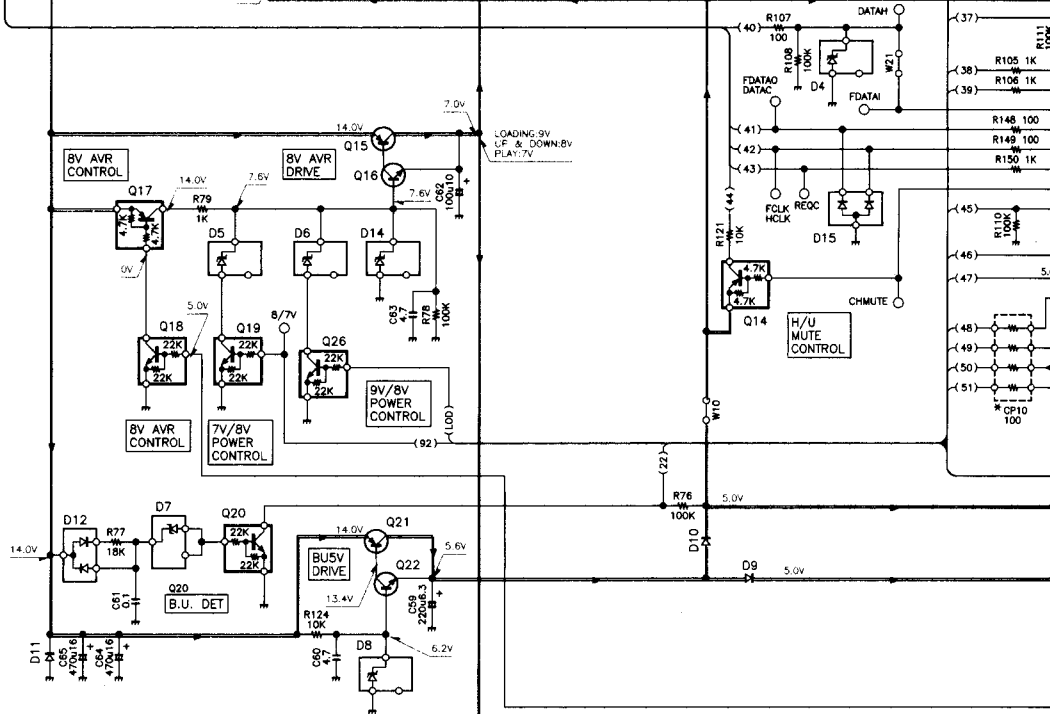
MODEL NAME	UNIT No.	C73,78	CP10,11,13	IC11,12	R157	S4
KDC-C622/Y	0-00	YES	YES	YES	NO	YES
KDC-C462/Y	0-01	NO	NO	NO	YES	NO

- IC1 : UPD63710GC
- IC3 : NUM2100M
- IC4 : TA78L05F
- IC5 : LA6546
- IC6 : LB1930M
- IC7 : UPD784214GC-029-8EU
- IC8 : S-24C01AFJA
- IC9 : PST9137NR
- IC11 : LC3564BT-70
- IC12 : TC74HC4072AF

- Q1,10 : 2SA1362(Y)
- Q2,16,22 : 2SC2412K
- Q3,11,13,18-20,25,26 : DTC124EK
- Q6,7 : 2SD2114K
- Q8 : DTA124EK
- Q9,21 : 2SB1184
- Q12 : DTA114EK
- Q14,17 : DTA143EK
- Q15 : 2SB1565(E,F)

- D1,2,15 : DAP202K
- D3,4,7 : MA3056-M
- D5 : MA3075-M
- D6 : MA3091-L
- D8 : MA3062-M
- D9,10 : M1F60
- D11 : 1SR154-400
- D12 : DA204K
- D13 : DAN202K
- D14 : MA3100-M

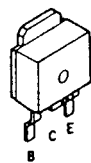
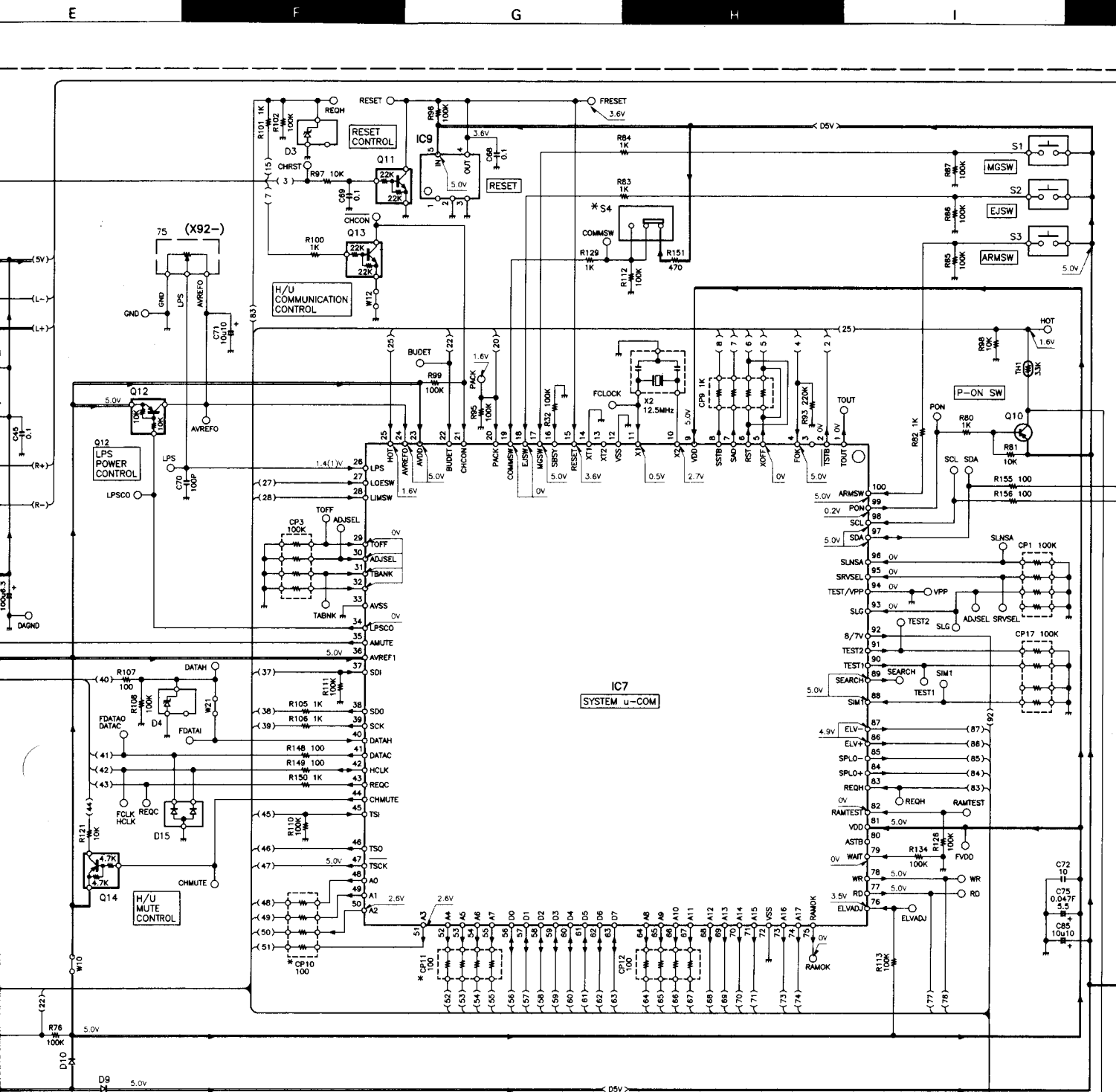
— SIGNAL LINE  
— +B LINE



2SB1565

DTA114EK 2SA1036K  
DTA124EK 2SA1362  
DTA143EK 2SC2412K  
DTC124EK 2SD2114K

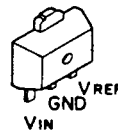
2SB1184



2SB1184



DAN202K



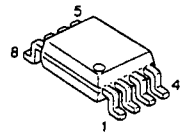
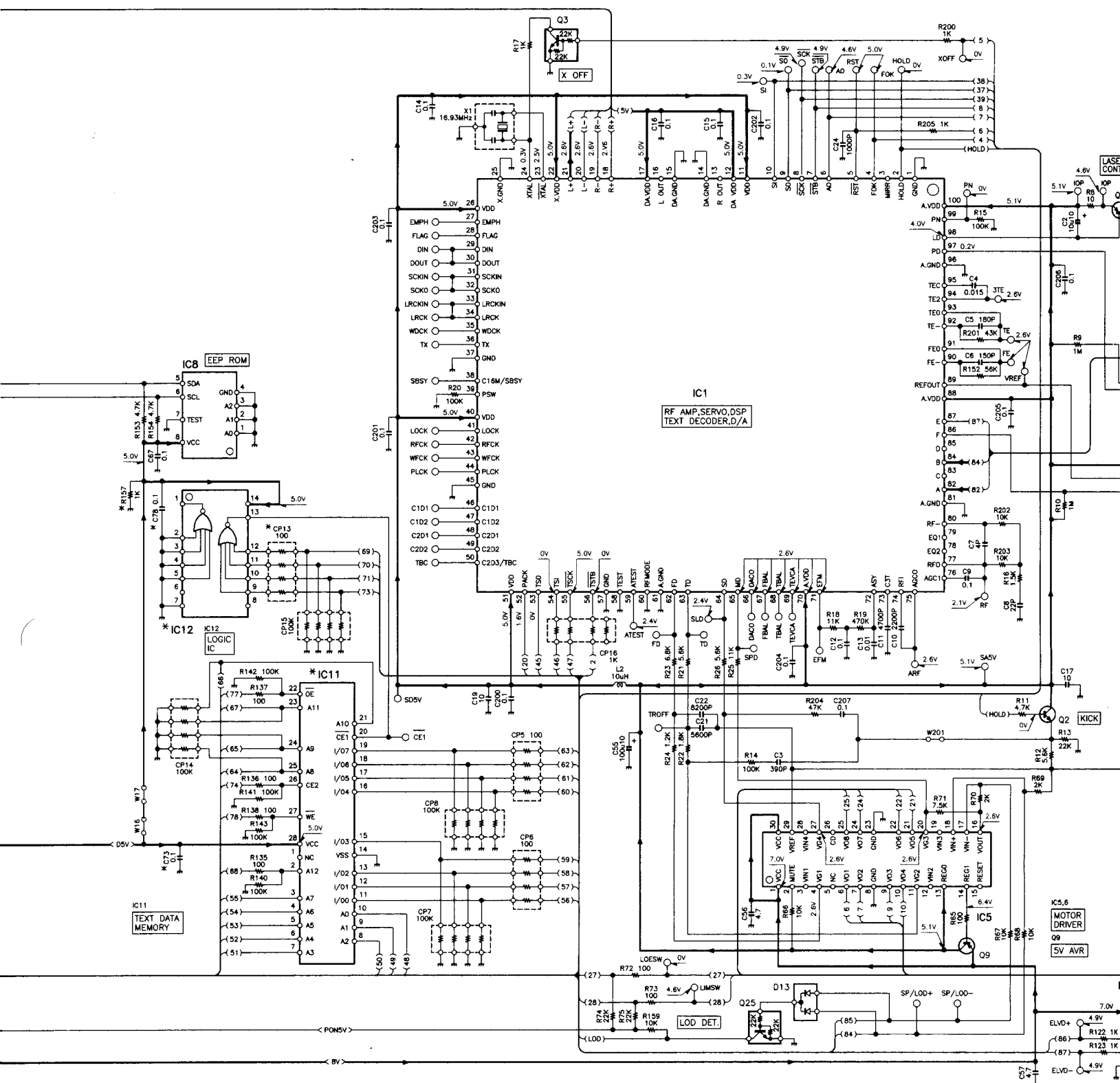
TA78L05F



DA204K

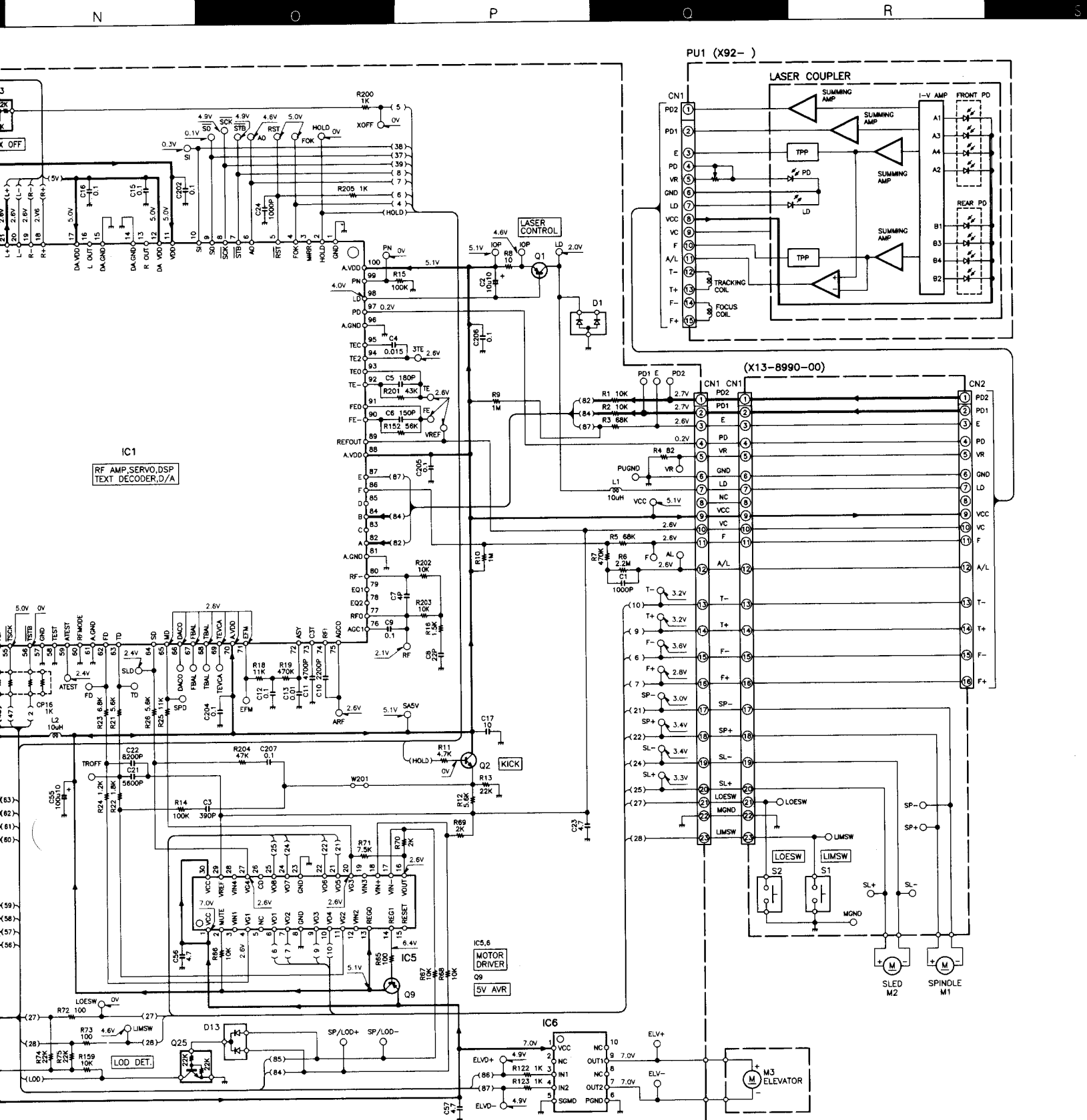
IA1036K  
IA1362  
IC2412K  
ID2114K

PS



NJM2100M

DC voltages are as measured  
 Values may vary slightly due  
 instruments or/and units.

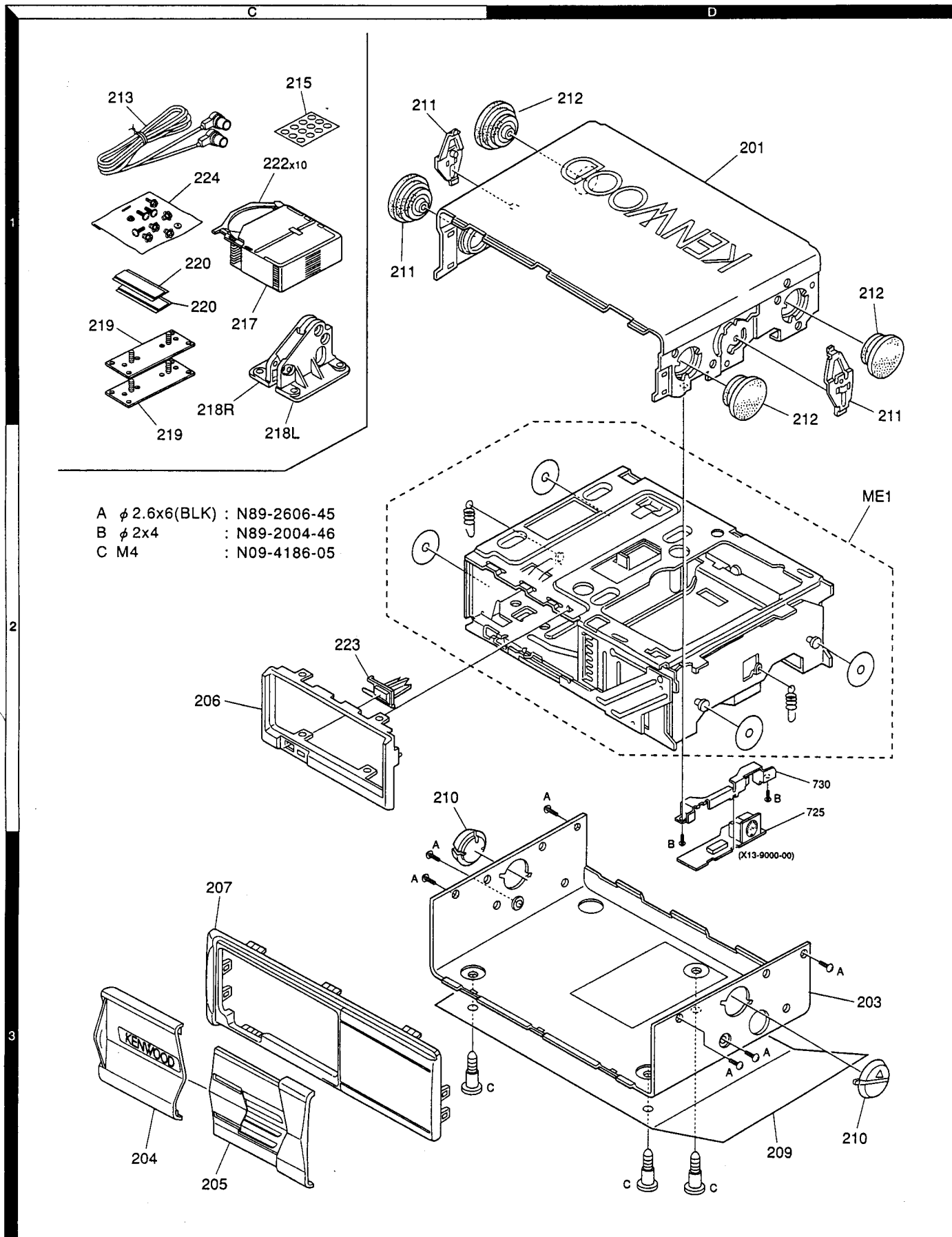


DC voltages are as measured with a high impedance voltmeter. Values may vary slightly due to variations between individual instruments or/and units.



# KDC-C462/Y, C662/Y

## EXPLODED VIEW (UNIT)



- A  $\phi$  2.6x6 (BLK) : N89-2606-45
- B  $\phi$  2x4 : N89-2004-46
- C M4 : N09-4186-05

# KDC-C462/Y, C662/Y

## PARTS LIST

\* New Parts

Parts without Parts No. are not supplied.

Les articles non mentionnés dans le Parts No. ne sont pas fournis.

Teile ohne Parts No. werden nicht geliefert.

CD PLAYER UNIT (X32-4490-XX)

Ref.No.	A d d	N e w	Parts No.	Description	Desti- nation
D1 ,2			DAP202K	DIODE	
D3 ,4			MA3056-M	ZENER DIODE	
D5			MA3075-M	ZENER DIODE	
D6			MA3091-L	ZENER DIODE	
D7			MA3056-M	ZENER DIODE	
D8			MA3062-M	ZENER DIODE	
D9 ,10			M1F60	DIODE	
D11			1SR154-400	DIODE	
D12			DA204K	DIODE	
D13			DAN202K	DIODE	
D14			MA3100-M	ZENER DIODE	
D15			DAP202K	DIODE	
IC1		*	UPD63710GC	MOS-IC	
IC3			NJM2100M	MOS-IC	
IC4			TA78L05F	IC(VOLTAGE REGULATOR/ +5V)	
IC5			LA6546	ANALOGUE IC	
IC6			LB1930M	ANALOGUE IC	
IC7			UPD784214GC029	MI-COM IC	KME E1
IC8			S-24C01AFJA	MEMORY IC	KME E1
IC9			PST9137NR	ANALOGUE IC	
IC11			LC3564BT-70	MEMORY IC	
IC12			TC74HC4072AF	MOS-IC	
Q1			2SA1362(Y)	TRANSISTOR	
Q2			2SC2412K	TRANSISTOR	
Q3			DTC124EK	DIGITAL TRANSISTOR	
Q6 ,7			2SD2114K	TRANSISTOR	
Q8			DTA124EK	DIGITAL TRANSISTOR	
Q9			2SB1184	TRANSISTOR	
Q10			2SA1362(Y)	TRANSISTOR	
Q11			DTC124EK	DIGITAL TRANSISTOR	
Q12			DTA114EK	DIGITAL TRANSISTOR	
Q13			DTC124EK	DIGITAL TRANSISTOR	
Q14			DTA143EK	DIGITAL TRANSISTOR	
Q16			2SC2412K	TRANSISTOR	
Q17			DTA143EK	DIGITAL TRANSISTOR	
Q18 -20			DTC124EK	DIGITAL TRANSISTOR	
Q21			2SB1184	TRANSISTOR	
Q22			2SC2412K	TRANSISTOR	
Q25 ,26			DTC124EK	DIGITAL TRANSISTOR	
TH1			NTH5G40B333K01	THERMISTOR	
<b>MECHANISM ASSY (X92-3410-XX)</b>					
1	1A		A10-4229-63	CHASSIS ASSY	
2	2B		A10-4231-22	CHASSIS CALKING ASSY	
3	1B		A10-4233-43	CHASSIS CALKING ASSY	
4	2B		A10-4235-84	CHASSIS CALKING ASSY	
5	3B		A10-4248-32	CHASSIS CALKING ASSY	
6	2A		A10-4247-12	CHASSIS	
7	1B		A10-4249-42	CHASSIS CALKING ASSY	
9	2B		D10-4018-23	ARM	
10	1B		D10-4019-13	LEVER	
11	2B		D10-4020-33	LEVER	
12	1B		D10-4036-34	ARM	
13	2A		D10-4037-04	SLIDER ASSY	

Ref.No.	A d d	N e w	Parts No.	Description	Desti- nation
14	1B		D10-4035-23	SLIDER	
15	3A		D10-4026-03	LEVER	
16	2A		D10-4027-04	LEVER ASSY	
17	3B		D10-4029-04	SLIDER ASSY	
18	2B		D10-4032-13	SLIDER	
19	1B		D10-4138-03	LEVER	
20	2B		D12-0618-13	CAM	
21	1B		D12-0619-33	CAM	
22	1A		D13-1251-14	GEAR	
23	2A		D13-1252-04	GEAR	
24	1A		D13-1253-04	GEAR	
25	2A		D13-1254-04	GEAR	
26	2B		D13-1255-14	GEAR	
27	1B		D13-1256-04	GEAR	
28	1A		D13-1257-14	GEAR ASSY	
29	2A		D13-1259-04	GEAR	
30	2B		D13-1262-34	GEAR	
31	3A		D13-1263-04	WORM	
32	3A		D13-1264-04	GEAR	
33	3A		D13-1265-04	GEAR	
34	3B		D13-1266-04	GEAR	
35	2B		D13-1338-04	GEAR	
36	2A		D19-0614-24	LEAD SCREW	
37	2B		D19-0615-14	CLUTCH ASSY	
41	3B		D39-0225-05	DAMPER	
FC1	3B		E39-0172-15	FLAT CABLE	
FC2	3B		E39-0173-15	FLAT CABLE	
43	2A		F09-1220-04	SHEET	
44	3B		F09-1245-04	SHEET	
45	2B		G01-2778-04	TORSION COIL SPRING	
46	2B		G01-2779-04	TORSION COIL SPRING	
47	2A		G01-2781-04	COMPRESSION SPRING	
48	3B		G01-2782-14	TORSION COIL SPRING	
49	1B		G01-2783-14	EXTENSION SPRING	
50	3A		G01-2784-04	EXTENSION SPRING	
51	3A		G01-2785-04	EXTENSION SPRING	
52	1B		G01-2789-14	EXTENSION SPRING	
53	2A		G01-2810-04	EXTENSION SPRING	
54	3B		G01-2809-14	EXTENSION SPRING	
55	1B		G01-2814-24	TORSION COIL SPRING	
57	2A		G02-1235-24	FLAT SPRING	
58	2A		G02-1256-14	FLAT SPRING	
59	2B		G02-1237-13	FLAT SPRING	
60	2B		G02-1238-34	FLAT SPRING	
62	3A		G02-1240-04	FLAT SPRING	
64	2B		G10-1023-04	FELT	
65	2B		J11-0614-03	CLAMPER	
66	2A		J21-7695-04	MOUNTING HARDWARE	
67	3B		J21-7696-23	MOUNTING HARDWARE	
68	3A		J21-7698-04	MOUNTING HARDWARE	
69	1B		J21-7767-13	MOUNTING HARDWARE	
71	2B		J90-0777-13	GUIDE	

K: USA M: Other Areas  
E: Europe

K, M, E: KDC-C662 E2: KDC-C462Y  
E1: KDC-C662Y E4: KDC-C462

▲ indicates safety critical components.

# KDC-C462/Y, C662/Y

## PARTS LIST

\* New Parts

Parts without Parts No. are not supplied.

Les articles non mentionnés dans le Parts No. ne sont pas fournis.

Teile ohne Parts No. werden nicht geliefert.

Ref.No.	A d d w	N e w	Parts No.	Description	Desti- nation
<b>KDC-C462/Y, C662/Y</b>					
201	1D		A01-2654-01	METALLIC CABINET	
203	3D		A10-4367-01	CHASSIS	
204	3C	*	A21-3531-02	DRESSING PANEL	
205	3C	*	A21-3533-02	DRESSING PANEL	
206	2C		A22-2239-12	SUB PANEL	
207	3C	*	A64-1603-01	PANEL	KME E1
207	3C	*	A64-1736-01	PANEL	E2 E4
209	3D		B58-1275-04	CAUTION CARD	
-			B46-0100-50	WARRANTY CARD	
-			B46-0172-13	QUESTIONNAIRE CARD	K
-			B46-0182-14	ID CARD	E1E2
-			B58-1236-04	CAUTION CARD (CORD)	
-		*	B64-1373-00	INSTRUCTION MANUAL(E,F,S,P)	K
-		*	B64-1376-00	INSTRUCTION MANUAL(E,T)	M
-		*	B64-1379-00	INSTRUCTION MANUAL(E,R,O)	E1E2
-		*	B64-1380-00	INSTRUCTION MANUAL(Z,H,C)	E1E2
-		*	B64-1381-00	INSTRUCTION MANUAL(E,F,S,P)	E E4
-		*	B64-1382-00	INSTRUCTION MANUAL(G,D,I)	E E4
210	3D		D10-4204-03	ARM	
211	1C		D10-4033-14	LEVER	
212	1D		D39-0226-03	DAMPER	
213	1C		E30-4138-05	CORD WITH PLUG	
215	1C		F19-1303-04	BLIND PLATE	
-			H02-0813-13	INNER CARTON CASE	
-			H10-4554-12	POLYSTYRENE FOAMED FIXTURE	
-			H25-0337-04	PROTECTION BAG (180X300X0.03)	
-			H25-1115-04	PROTECTION BAG	
-		*	H54-1402-04	ITEM CARTON CASE	KM
-		*	H54-1406-04	ITEM CARTON CASE	E
-		*	H54-1407-04	ITEM CARTON CASE	E4
-		*	H54-1409-04	ITEM CARTON CASE	E1
-		*	H54-1410-04	ITEM CARTON CASE	E2
217	1C		J19-4687-32	HOLDER ASSY	
218L	1C		J19-4713-13	BRACKET	
218R	1C		J19-4715-13	BRACKET	
219	1C		J21-7618-14	MOUNTING HARDWARE ASSY	M
220	1C		J69-0506-04	ADHESIVE TAPE	M
222	1C		J99-0604-21	TRAY	
223	2C		K24-1792-04	KNØB	
224	1C		N99-1628-15	SCREW SET	M
224	1C		N99-1645-15	SCREW SET	KEE1E2
A	3D		N89-2606-45	BINDING HEAD TAPTITE SCREW	
B	2D		N89-2004-46	BINDING HEAD TAPTITE SCREW	
C	3D		N09-4186-05	STEPPED SCREW	
ME1	2D	*	X92-3410-00	MECHANISM ASSY	KME E1
ME1	2D	*	X92-3410-01	MECHANISM ASSY	E2 E4
	2C				

Ref.No.	A d d w	N e w	Parts No.	Description	Desti- nation
<b>SUB CIRCUIT UNIT (X13-8900-00)</b>					
CN1			E40-9487-05	FLAT CABLE CONNECTOR	
CN2			E40-9536-05	FLAT CABLE CONNECTOR	
S1	,2		S74-0811-05	MICRO SWITCH	
<b>SUB CIRCUIT UNIT (X13-9000-00)</b>					
CN1			E40-9555-05	FLAT CABLE CONNECTOR	
J1			E56-0825-05	CYLINDRICAL RECEPTACLE	
<b>CD PLAYER UNIT (X32-4490-XX)(X32-4610-XX)</b>					
C1			CK73FB1H102K	CHIP C	1000PF K
C2			C92-0628-05	CHIP-TAN	10UF 10WV
C3			CC73FCH1H391J	CHIP C	390PF J
C4			CK73FB1H153KTA	CHIP C	0.015UF K
C5			CC73FCH1H181J	CHIP C	180PF J
C6			CC73FCH1H151J	CHIP C	150PF J
C7			CC73FCH1H040C	CHIP C	4.0PF C
C8			CC73FCH1H220J	CHIP C	22PF J
C9			CK73FB1C104K	CHIP C	0.10UF K
C10			CK73FB1H222K	CHIP C	2200PF K
C11			CK73FB1H472K	CHIP C	4700PF K
C12			CK73FB1C104K	CHIP C	0.10UF K
C13			CK73FB1H103K	CHIP C	0.010UF K
C14	-16		CK73FB1C104K	CHIP C	0.10UF K
C17			CK73EB0J106K	CHIP C	10UF K
C19			CK73EB0J106K	CHIP C	10UF K
C21			CK73FB1H562K	CHIP C	5600PF K
C22			CK73FB1H822K	CHIP C	8200PF K
C23			CK73EB1A475K	CHIP C	4.7UF K
C24			CK73FB1H102K	CHIP C	1000PF K
C34			C92-1390-05	ELECTRO	100UF 6.3WV
C35	,36		C92-0005-05	CHIP-TAN	2.2UF 6.3WV
C37	-40		CK73FB1H471K	CHIP C	470PF K
C41	-44		CC73FCH1H181J	CHIP C	180PF J
C45			CK73FB1C104K	CHIP C	0.10UF K
C46	,47		C92-1393-05	ELECTRO	10UF 16WV
C48	,49		CK73FB1H222K	CHIP C	2200PF K
C50	,51		C92-1393-05	ELECTRO	10UF 16WV
C52			CK73EB1A475K	CHIP C	4.7UF K
C55			C92-0628-05	CHIP-TAN	10UF 10WV
C56	,57		CK73EB1A475K	CHIP C	4.7UF K
C59			C92-1391-05	ELECTRO	220UF 6.3WV
C60			CK73EB1A475K	CHIP C	4.7UF K
C61			CK73FB1C104K	CHIP C	0.10UF K
C62			C92-1392-05	ELECTRO	100UF 10WV
C63			CK73EB1A475K	CHIP C	4.7UF K
C64	,65		C92-1388-05	ELECTRO	470UF 16WV
C66			CK73EB1C105K	CHIP C	1.0UF K
C67	-69		CK73FB1C104K	CHIP C	0.10UF K
C70			CC73FCH1H101J	CHIP C	100PF J
C71			C92-0628-05	CHIP-TAN	10UF 10WV
C72			CK73EB0J106K	CHIP C	10UF K
C73			CK73FB1C104K	CHIP C	0.10UF K

K: USA M: Other Areas  
E: Europe

K, M, E: KDC-C662 E2: KDC-C462Y  
E1: KDC-C662Y E4: KDC-C462

△ indicates safety critical components.



# KDC-C462/Y, C662/Y

## PARTS LIST

\* New Parts

Parts without Parts No. are not supplied.

Les articles non mentionnés dans le Parts No. ne sont pas fournis.

Teile ohne Parts No. werden nicht geliefert.

CD PLAYER UNIT (X32-4490-XX)

Ref.No.	A d d	N e w	Parts No.	Description	Desti- nation	Ref.No.	A d d	N e w	Parts No.	Description	Desti- nation
C75			C90-2945-05	ELECTRO 0.047F 5.5WV		R69			RK73EB2B202J	CHIP R 2.0K J 1/8W	
C78			CK73FB1C104K	CHIP C 0.10UF K	KME E1	R70			RK73FB2A202J	CHIP R 2.0K J 1/10W	
C85			C92-0628-05	CHIP-TAN 10UF 10WV		R71			RK73FB2A752J	CHIP R 7.5K J 1/10W	
C200-207			CK73FB1C104K	CHIP C 0.10UF K		R72 ,73			RK73FB2A101J	CHIP R 100 J 1/10W	
CN1			E40-9338-05	FLAT CABLE CONNECTOR		R74 ,75			RK73FB2A223J	CHIP R 22K J 1/10W	
CN2			E40-9404-05	FLAT CABLE CONNECTOR		R76			RK73FB2A104J	CHIP R 100K J 1/10W	
L1 ,2			L40-1001-78	SMALL FIXED INDUCTOR(10UH)		R77			RK73FB2A183J	CHIP R 18K J 1/10W	
X1			L78-0596-05	RESONATOR		R78			RK73FB2A104J	CHIP R 100K J 1/10W	
X2			L78-0568-05	RESONATOR		R79 ,80			RK73FB2A102J	CHIP R 1.0K J 1/10W	
CP1			R90-0720-05	MULTI-COMP 100K X4		R81			RK73FB2A103J	CHIP R 10K J 1/10W	
CP3			R90-0720-05	MULTI-COMP 100K X4		R82			RK73FB2A102J	CHIP R 1.0K J 1/10W	
CP5 ,6			R90-1014-05	MULTI-COMP 100 X4		R83			RK73EB2B102J	CHIP R 1.0K J 1/8W	
CP7 ,8			R90-0720-05	MULTI-COMP 100K X4		R84			RK73FB2A102J	CHIP R 1.0K J 1/10W	
CP9			R90-0724-05	MULTI-COMP 1K X4		R85 -87			RK73FB2A104J	CHIP R 100K J 1/10W	
CP10-13			R90-1014-05	MULTI-COMP 100 X4	KME E1	R93			RK73EB2B224J	CHIP R 220K J 1/8W	
CP12			R90-1014-05	MULTI-COMP 100 X4	E2 E4	R95			RK73EB2B104J	CHIP R 100K J 1/8W	
CP14,15			R90-0720-05	MULTI-COMP 100K X4		R96			RK73FB2A104J	CHIP R 100K J 1/10W	
CP16			R90-0724-05	MULTI-COMP 1K X4		R97 ,98			RK73FB2A103J	CHIP R 10K J 1/10W	
CP17			R90-0720-05	MULTI-COMP 100K X4		R99			RK73FB2A104J	CHIP R 100K J 1/10W	
R1 ,2			RK73FB2A103J	CHIP R 10K J 1/10W		R100,101			RK73FB2A102J	CHIP R 1.0K J 1/10W	
R3			RK73FB2A683J	CHIP R 68K J 1/10W		R102			RK73FB2A104J	CHIP R 100K J 1/10W	
R4			RK73EB2B820J	CHIP R 82 J 1/8W		R105,106			RK73FB2A102J	CHIP R 1.0K J 1/10W	
R5			RK73FB2A683J	CHIP R 68K J 1/10W		R107			RK73FB2A101J	CHIP R 100 J 1/10W	
R6			RK73FB2A225J	CHIP R 2.2M J 1/10W		R108			RK73FB2A104J	CHIP R 100K J 1/10W	
R7			RK73FB2A474J	CHIP R 470K J 1/10W		R110-113			RK73FB2A104J	CHIP R 100K J 1/10W	
R8			RK73EB2B100J	CHIP R 10 J 1/8W		R121			RK73FB2A103J	CHIP R 10K J 1/10W	
R9 ,10			RK73FB2A105J	CHIP R 1.0M J 1/10W		R122,123			RK73EB2B102J	CHIP R 1.0K J 1/8W	
R11			RK73FB2A472J	CHIP R 4.7K J 1/10W		R124			RK73FB2A103J	CHIP R 10K J 1/10W	
R12			RK73FB2A562J	CHIP R 5.6K J 1/10W		R126			RK73EB2B104J	CHIP R 100K J 1/8W	
R13			RK73FB2A223J	CHIP R 22K J 1/10W		R129			RK73EB2B102J	CHIP R 1.0K J 1/8W	
R14 ,15			RK73FB2A104J	CHIP R 100K J 1/10W		R134			RK73FB2A104J	CHIP R 100K J 1/10W	
R16			RK73FB2A152J	CHIP R 1.5K J 1/10W		R135-138			RK73FB2A101J	CHIP R 100 J 1/10W	
R17			RK73FB2A102J	CHIP R 1.0K J 1/10W		R140-143			RK73FB2A104J	CHIP R 100K J 1/10W	
R18			RK73FB2A113J	CHIP R 11K J 1/10W		R148,149			RK73FB2A101J	CHIP R 100 J 1/10W	
R19			RK73FB2A474J	CHIP R 470K J 1/10W		R150			RK73FB2A102J	CHIP R 1.0K J 1/10W	
R20			RK73FB2A104J	CHIP R 100K J 1/10W		R151			RK73FB2A471J	CHIP R 470 J 1/10W	
R21			RK73FB2A562J	CHIP R 5.6K J 1/10W		R152			RK73FB2A563J	CHIP R 56K J 1/10W	E2 E4
R22			RK73FB2A182J	CHIP R 1.8K J 1/10W		R153,154			RK73FB2A472J	CHIP R 4.7K J 1/10W	
R23			RK73FB2A682J	CHIP R 6.8K J 1/10W		R155,156			RK73FB2A101J	CHIP R 100 J 1/10W	
R24			RK73FB2A122J	CHIP R 1.2K J 1/10W		R157			RK73FB2A102J	CHIP R 1.0K J 1/10W	
R25			RK73EB2B113J	CHIP R 11K J 1/8W		R159			RK73FB2A103J	CHIP R 10K J 1/10W	
R26			RK73EB2B562J	CHIP R 5.6K J 1/8W		R200			RK73EB2B102J	CHIP R 1.0K J 1/8W	
R32			RK73FB2A104J	CHIP R 100K J 1/10W		R201			RK73FB2A433J	CHIP R 43K J 1/10W	
R33 -36			RK73FB2A102J	CHIP R 1.0K J 1/10W		R202,203			RK73FB2A103J	CHIP R 10K J 1/10W	
R37 -40			RK73EB2B472J	CHIP R 4.7K J 1/8W		R204			RK73FB2A473J	CHIP R 47K J 1/10W	
R41 -44			RK73FB2A562J	CHIP R 5.6K J 1/10W		W9 ,10			R92-2053-05	CHIP R 0 J 1/8W	
R45 -48			RK73FB2A752J	CHIP R 7.5K J 1/10W		W12			R92-2053-05	CHIP R 0 J 1/8W	
R49 -52			RK73FB2A103J	CHIP R 10K J 1/10W		W16 ,17			R92-2053-05	CHIP R 0 J 1/8W	
R53 ,54			RK73EB2B681J	CHIP R 680 J 1/8W		W21			R92-2052-05	CHIP R 0 J 1/10W	
R55 ,56			RK73FB2A472J	CHIP R 4.7K J 1/10W		W201			R92-2053-05	CHIP R 0 J 1/8W	
R57 ,58			RK73FB2A223J	CHIP R 22K J 1/10W		S1			S68-0823-05	PUSH SWITCH	
R65			RK73FB2A101J	CHIP R 100 J 1/10W		S2			S70-0838-05	TACT SWITCH	
R66			RK73FB2A103J	CHIP R 10K J 1/10W		S3			S68-0823-05	PUSH SWITCH	
R67 ,68			RK73EB2B103J	CHIP R 10K J 1/8W		S4			S62-0857-05	SLIDE SWITCH	

K: USA M: Other Areas  
E: Europe

K, M, E: KDC-C662 E2: KDC-C462Y  
E1: KDC-C662Y E4: KDC-C462

⚠ indicates safety critical components.

# KDC-C462/Y, C662/Y

## PARTS LIST

\* New Parts

Parts without Parts No. are not supplied.

Les articles non mentionnés dans le Parts No. ne sont pas fournis.

Teile ohne Parts No. werden nicht geliefert.


MECHANISM ASSY (X92-3410-XX)

Ref.No.	A d e w	Parts No.	Description	Desti- nation
72	2B	J90-0759-03	GUIDE	
73	2B	J90-0760-03	RAIL	
FPC1	2A	J84-0063-15	FLEXIBLE PRINTED WIRING BOARD	
A	1B	N09-4126-05	MACHINE SCREW (2X3.5)	
B	3B	N09-4288-05	TAPTITE SCREW (2X2.5)	
C	3A	N86-2005-46	BINDING HEAD TAPTITE SCREW	
D	2B	N09-4189-05	TAPTITE SCREW (1.7X1.5)	
E	2A	N09-4154-05	TAPTITE SCREW	
F	1A	N09-4181-05	MACHINE SCREW (M1.7X3)	
G	1A	N39-1722-46	PAN HEAD MACHIN SCREW	
K	2B	N19-2058-04	FLAT WASHER	
L	1B	N19-2080-14	FLAT WASHER	
M	1A	N19-2028-04	FLAT WASHER	
P	2B	N19-2105-14	FLAT WASHER	
75	3B	R33-0201-05	SLIDE TYPE VARIABLE RESISTOR	
M1	2A	T42-0797-04	MOTOR ASSY	
M2, 3	3A	T42-0788-05	DC MOTOR	
PU1	2A	T25-0209-05	OPTICAL PICKUP HEAD	
Q15	3A	2SB1565(E,F)	TRANSISTOR	

Ref.No.	A d e w	Parts No.	Description	Desti- nation

K: USA M: Other Areas  
E: Europe

K, M, E: KDC-C662 E2: KDC-C462Y  
E1: KDC-C662Y E4: KDC-C462

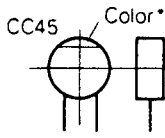
 indicates safety critical components.

## PARTS LIST

### CAPACITORS

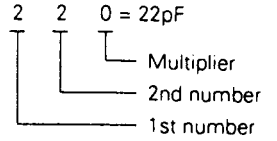
CC 45 TH 1H 220 J  
 1 2 3 4 5 6

- 1 = Type ... ceramic, electrolytic, etc.
- 2 = Shape ... round, square, ect.
- 3 = Temp. coefficient
- 4 = Voltage rating
- 5 = Value
- 6 = Tolerance



#### Capacitor value

- 010 = 1pF
- 100 = 10pF
- 101 = 100pF
- 102 = 1000pF = 0.001μF
- 103 = 0.01μF



#### Temperature coefficient

1st Word	C	L	P	R	S	T	U
Color*	Black	Red	Orange	Yellow	Green	Blue	Violet
ppm/°C	0	-80	-150	-220	-330	-470	-750

2nd Word	G	H	J	K	L
ppm/°C	±30	±60	±120	±250	±500

Example: CC45TH = -470 ± 60ppm/°C

#### Tolerance (More than 10pF)

Code	C	D	G	J	K	M	X	Z	P	No code
(%)	±0.25	±0.5	±2	±5	±10	±20	+40 -20	+80 -20	+100 -0	More than 10μF -10 ~ +50 Less than 4.7μF -10 ~ +75

#### (Less than 10pF)

Code	B	C	D	F	G
(pF)	±0.1	±0.25	±0.5	±1	±2

#### Voltage rating

2nd word \ 1st word	A	B	C	D	E	F	G	H	J	K	V
0	1.0	1.25	1.6	2.0	2.5	3.15	4.0	5.0	6.3	8.0	-
1	10	12.5	16	20	25	31.5	40	50	63	80	35
2	100	125	160	200	250	315	400	500	630	800	-
3	1000	1250	1600	2000	2500	3150	4000	5000	6300	8000	-

#### Chip capacitors

(EX) C C 7 3 F S L 1 H 0 0 0 J  
 1 2 3 4 5 6 7

(Chip) (CH, RH, UJ, SL)

(EX) C K 7 3 F F 1 H 0 0 0 Z  
 1 2 3 4 5 6 7

(Chip) (B, F)

Refer to the table above.

- 1 = Type
- 2 = Shape
- 3 = Dimension
- 4 = Temp coefficient
- 5 = Voltage rating
- 6 = Value
- 7 = Tolerance

#### Dimension (Chip capacitors)

Dimension code	L	W	T
Empty	5.6 ± 0.5	5.0 ± 0.5	Less than 2.0
A	4.5 ± 0.5	3.2 ± 0.4	Less than 2.0
B	4.5 ± 0.5	2.0 ± 0.3	Less than 2.0
C	4.5 ± 0.5	1.25 ± 0.2	Less than 1.25
D	3.2 ± 0.4	2.5 ± 0.3	Less than 1.5
E	3.2 ± 0.2	1.6 ± 0.2	Less than 1.25
F	2.0 ± 0.3	1.25 ± 0.2	Less than 1.25
G	1.6 ± 0.2	0.8 ± 0.2	Less than 1.0

### RESISTORS

#### Chip resistor (Carbon)

(EX) R K 7 3 E B 2 B 0 0 0 J  
 1 2 3 4 5 6 7

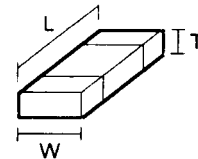
(Chip) (B, F)

#### Carbon resistor (Normal type)

(EX) R D 1 4 B B 2 C 0 0 0 J  
 1 2 3 4 5 6 7

- 1 = Type
- 2 = Shape
- 3 = Dimension
- 4 = Temp. coefficient
- 5 = Rating wattage
- 6 = Value
- 7 = Tolerance

#### Dimension



#### Dimension (Chip resistor)

Dimension code	L	W	T
E	3.2 ± 0.2	1.6 ± 0.2	1.0
F	2.0 ± 0.3	1.25 ± 0.2	1.0
G	1.6 ± 0.2	0.8 ± 0.2	0.5 ± 0.1

#### Rating wattage

Code	Wattage	Code	Wattage	Code	Wattage
1J	1/16W	2C	1/6W	3A	1W
2A	1/10W	2E	1/4W	3D	2W
2B	1/8W	2H	1/2W		

# KDC-C462/Y, C662/Y

## SPECIFICATIONS

### CD section

Laser Diode .....	GaAlAs ( $\lambda=780$ nm)
Digital Filter (D/A) .....	8 Times Over Sampling
D/A Converter .....	1 Bit
Spindle Speed .....	500~200 rpm (CLV)
Wow & Flutter .....	Below Measurable Limit
Frequency Response .....	5Hz~20kHz ( $\pm 1$ dB)
Total Harmonic Distortion .....	0.005% (1kHz)
S/N Ratio (dB) .....	94dB
Dynamic Range .....	94dB
Channel Separation .....	85dB

### General

Operating Voltage .....	14.4V (11~16V allowable)
Current Consumption .....	0.8A at rated power
Installation Size (W x H x D) .....	250 x 64 x 176mm (9-13/16 x 2-1/2 x 6-15/16 in.)
Weight .....	1.8kg (4.0 LBS)

### Note:

KENWOOD follows a policy continuous advancements in development.  
For this reason specifications may be changed without notice.

## KENWOOD CORPORATION

14-6, Dogenzaka 1-chome, Shibuya-ku, Tokyo 150-8501, Japan

### KENWOOD SERVICE CORPORATION

P.O. Box 22745, 2201 East Dominguez Street,  
Long Beach, CA90801-5745, U.S.A.

### KENWOOD ELECTRONICS CANADA INC.

6070 Kestrel Road, Mississauga, Ontario, Canada L5T 1S8

### KENWOOD ELECTRONICS LATIN AMERICA S.A.

P.O. Box 55-2791, Piso 6, Plaza Chase, Cl. 47y,  
Aquilino de la Guardia, Panama, Republic of Panama

### KENWOOD ELECTRONICS BRASIL LTDA.

Av. Moema, 170-17, Andar-Cobertura "B",  
Ed. Maximum Service Center, 04077-020 Moema,  
São Paulo-SP-Brasil

### KENWOOD ELECTRONICS UK LIMITED

Kenwood House, Dwight Road, Watford, Herts,  
WD1 8EB, United Kingdom

### KENWOOD ELECTRONICS DEUTSCHLAND GMBH

Rembrücker-Str. 15, 63150 Heusenstamm, Germany

### KENWOOD ELECTRONICS FRANCE S.A.

13, Boulevard Ney, 75018 Paris, France

### KENWOOD ELECTRONICS BELGIUM N.V.

Mechelsesteenweg 418, B-1930 Zaventem, Belgium

### KENWOOD ELECTRONICS ITALIA S.p.A.

Via G. Sirtori 7/9, 20129 Milano, Italy

### KENWOOD IBÉRICA S.A.

Bolivia, 239-08020 Barcelona, Spain

### KENWOOD ELECTRONICS AUSTRALIA PTY. LTD.

(A.C.N. 001 499 074)  
8 Figtree Drive, Australia Centre, Homebush, N.S.W. 2140, Australia

### KENWOOD & LEE ELECTRONICS LTD.

Unit 3712-3724, Level 37, Tower 1, Metroplaza,  
223 Hing Fong Road, Kwai Fong, N.T., Hong Kong

### KENWOOD ELECTRONICS GULF FZE

P.O. Box 61318, Jebel Ali, Dubai, U.A.E.

### KENWOOD ELECTRONICS (THAILAND) CO., LTD.

573/111 Soi Ramkhamhaeng 39, Ramkhamhaeng Road,  
Wangthonglang, Bangkok, Bangkok, 10310 Thailand

### KENWOOD ELECTRONICS SINGAPORE PTE. LTD.

1 Genting Lane, #07-00, Kenwood Building, Singapore 349544

### KENWOOD ELECTRONICS (MALAYSIA) SDN BHD

#4.01 Level 4, Wisma Academy, Lot 4A, Jalan 19/1,  
46300 Petaling Jaya, Selangor, Malaysia